

4

3

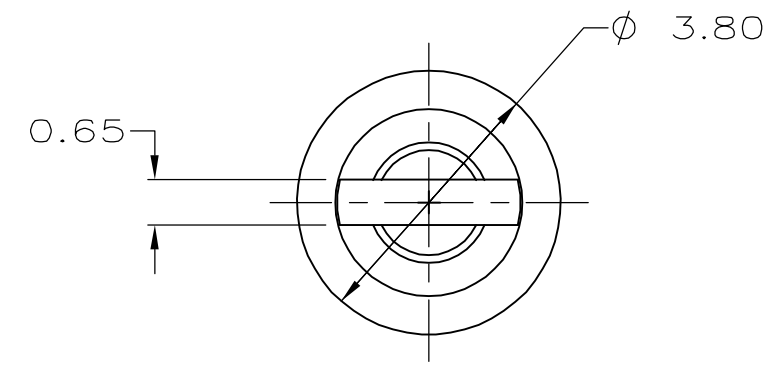
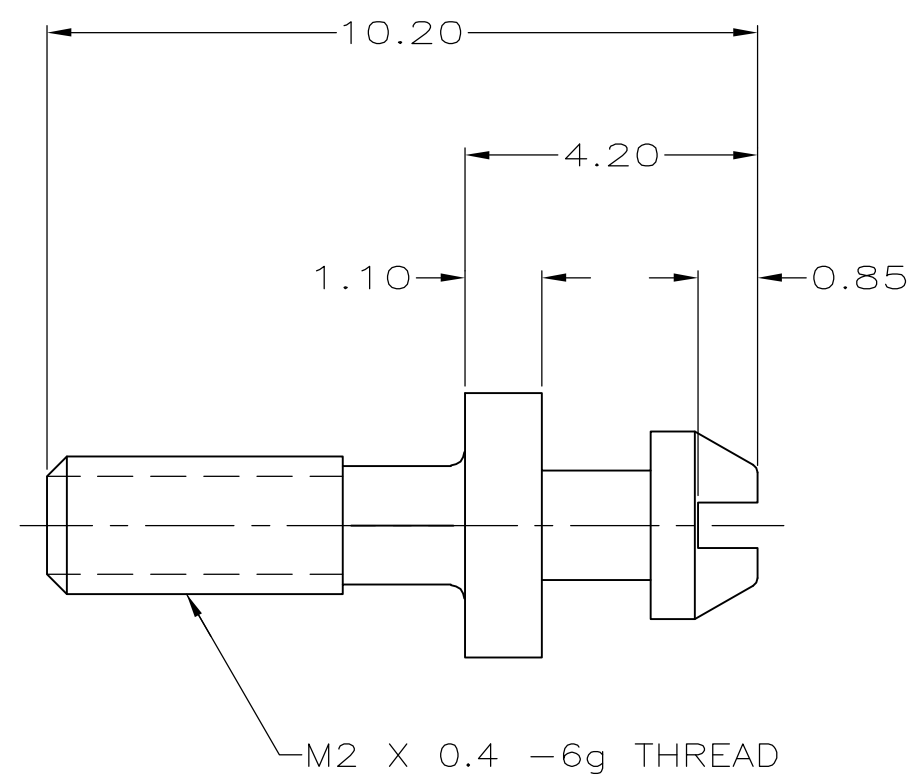
2

1

THIS DRAWING IS UNPUBLISHED. RELEASED FOR PUBLICATION - , - .
 © COPYRIGHT - BY TYCO ELECTRONICS CORPORATION. ALL RIGHTS RESERVED.

| | | | | | | | |
|-----|------|-----------|-----|---------------------------|---------|-----|------|
| LOC | DIST | REVISIONS | | | | | |
| GP | 00 | P | LTR | DESCRIPTION | DATE | DWN | APVD |
| | | | B | REVISED PER ECO-06-000326 | 17APR06 | BM | SS |

△ 1 MATERIAL:
 STAINLESS STEEL PER TYCO 100-222-1
 (UNS S30300). COLD FINISHED.



| | | |
|----------|-------------|----------|
| | 200 | 787003-3 |
| OBSOLETE | 2 | 787003-2 |
| QTY | PART NUMBER | |

| | | | | | | | |
|--|--|------------------|-------------|-----------|--|----------|---------------|
| THIS DRAWING IS A CONTROLLED DOCUMENT. | | DWN | S.G.SMITH | 08/20/93 | tyco Tyco Electronics Corporation Harrisburg, PA 17105-3608 | | |
| DIMENSIONS: mm | | CHK | J.J.CONSOLO | 08/20/93 | | | |
| TOLERANCES UNLESS OTHERWISE SPECIFIED: | | APVD | - | - | NAME LATCHING POST, BOARDMOUNT, 0.8mm CHAMP | | |
| 0 PLC ± - | | PRODUCT SPEC | 108-1471 | SIZE | | | RESTRICTED TO |
| 1 PLC ± - | | APPLICATION SPEC | - | CAGE CODE | DRAWING NO | | - |
| 2 PLC ± 0.13 | | WEIGHT | - | A3 | 00779 | C=787003 | |
| 3 PLC ± - | | CUSTOMER DRAWING | | SCALE | 10:1 | SHEET | 1 OF 1 |
| 4 PLC ± - | | | | | | REV | B |
| ANGLES ± - | | | | | | | |
| MATERIAL | | FINISH | | | | | |
| △ 1 | | - | | | | | |